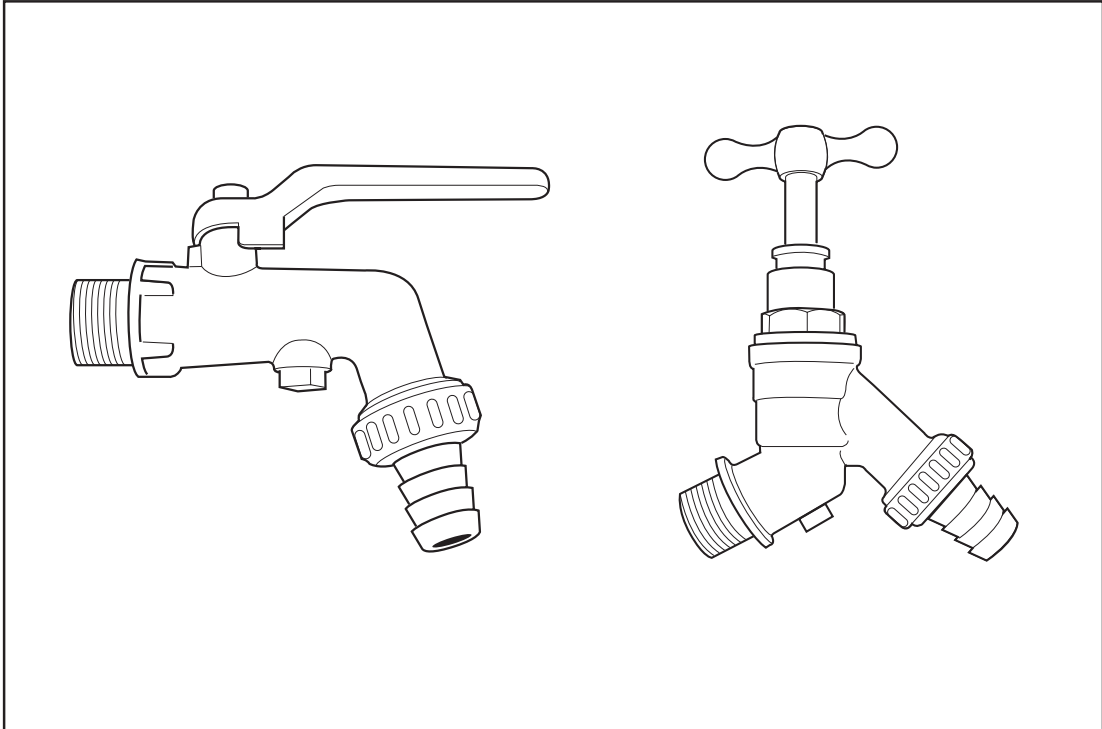


## Hoseguard Bib Tap



A hose union bib tap with integral double check valve for backflow protection.

### Product Features and Benefits

- **Combined double check valve hose union bib tap.**
- **Prevents backflow contamination.**
- Available in **1/4 turn ball valve** or **BS 1010 screw down handle format.**
- Hose tail outlet.
- **Built-in test point and drain down facility.**
- **Conforms to water supply (water fittings) regulations, Section 6.**
- **DZR brass body.**
- **Fits directly into a wall-plate elbow.**

✓ WRAS approved.

# Hoseguard Bib Tap

## Description

A hose union bib tap, manufactured from DZR brass and incorporating a double check valve for backflow protection, and a test point for verification and drain down purposes. Provides protection against class 3 contamination risks, and is suitable for use as an external supply, drain off tap, or standpipe.

Available in either 1/4 turn ball valve or BS 1010 screw down handle format. Designed to fit directly into a wall plate elbow via the 1/2" male inlet, and terminates in a hose tail attached to the tap body via a 3/4" BSP union.

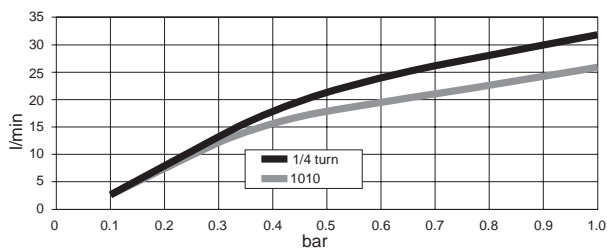
## Product Range

Hoseguard Bib Tap with Integral Double Check Valve:

HTAP 217 008: 1010 screw-down handle

HTAP 217 009: 1/4 turn ball valve

## Performance



## Materials

Body: DZR brass  
 Check cartridges: Acetal polymer components  
 NBR elastomer seals  
 Stainless steel spring

### 1010 Bib Tap

Headwork: Brass  
 Washer: EPDM elastomer

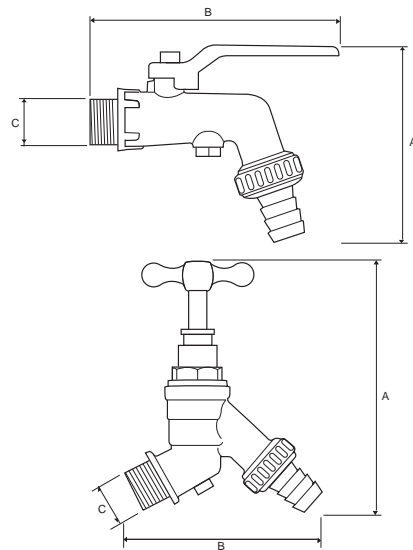
### Quarter Turn Bib Tap

Ball: Chrome plated DZR brass  
 Seals: PTFE  
 Lever: Aluminium

## Standards

1010 Bib Tap conforms to BS 1010/2.  
 WRAS Approval No. 9110029

## Dimensions



TYPE	A	B	C
HTAP 217 009	90	120	1/2" BSP
HTAP 217 008	90	95	1/2" BSP

All dimensions are in mm

## Specifications

Working pressure: 16 bar max.  
 Working temperature: 90°C max.  
 Inlet connection: 1/2" BSP male  
 Outlet connection: Hose tail (via 3/4" BSP union)

## How to Specify

A combined hose union bib tap and double check valve with a test point for verification and drain down purposes, suitable for class 3 contamination risks. (Include correct product range code).

## Guarantee

All Reliance products undergo strict performance tests prior to despatch, and are guaranteed against faulty materials and workmanship for one year from date of purchase. This is in addition to any statutory rights.

Contacts:	Sales Enquiries	Technical Support
Telephone:	+44 (0)1386 712400	+44 (0)1386 47148
Fax:	+44 (0)1386 47028	+44 (0)1386 422217
E-Mail:	sales@rwc.co.uk	technical@rwc.co.uk



**Reliance Water Controls**  
 Worcester Road, Evesham, Worcestershire, WR11 4RA, UK  
 Tel: +44 (0)1386 47148 Fax: +44 (0)1386 47028 www.rwc.co.uk

